

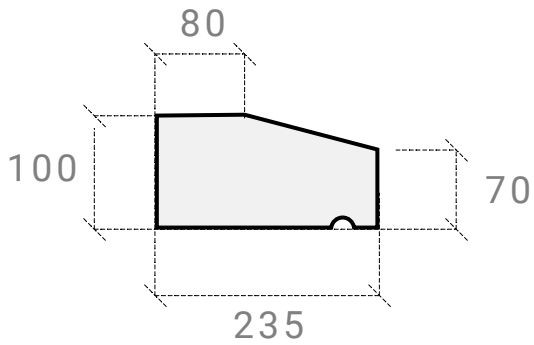


SECTIONAL DRAWINGS FOR:

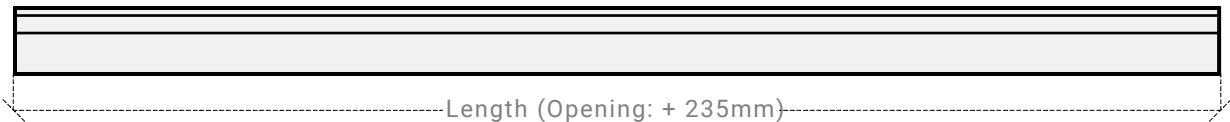
Window Cills

CODE: BC01

WEIGHT: 63kg/m



ELEVATION



PLAN

opening

